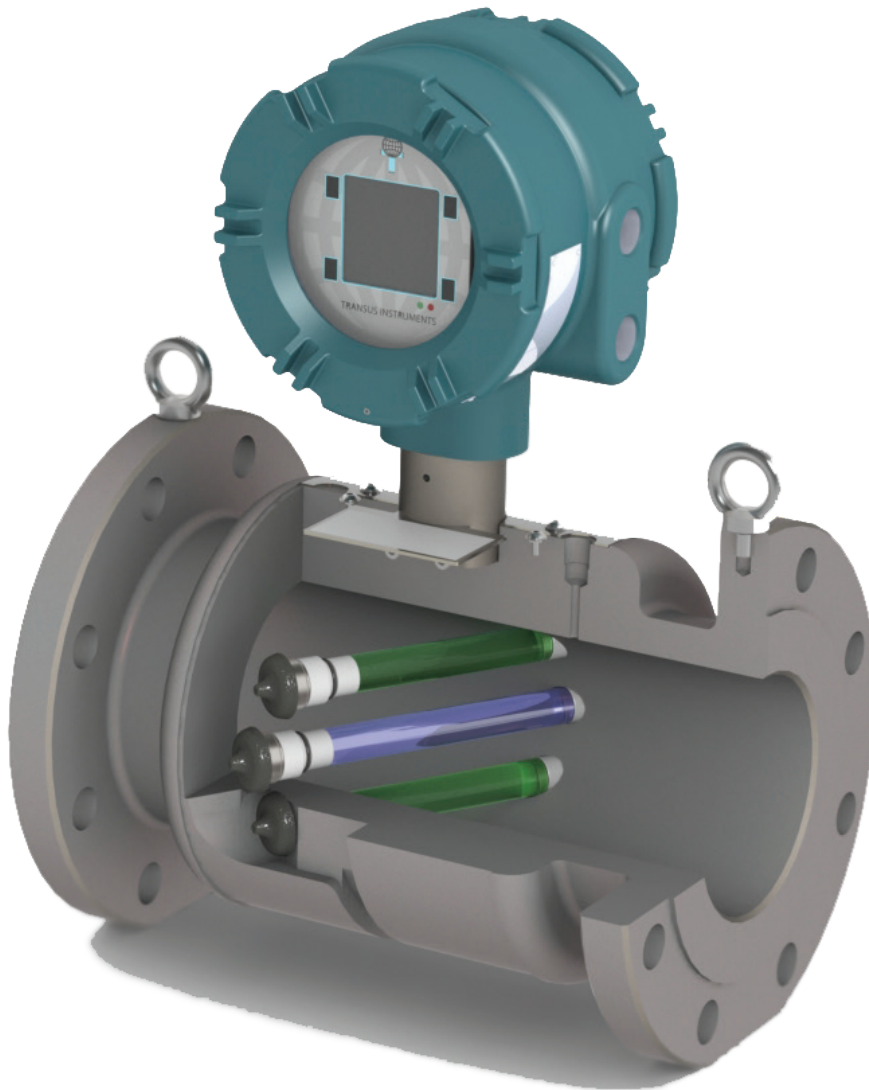




# TRANSUS INSTRUMENTS

TEESING

WWW.TEESING.COM



## Technical Datasheet

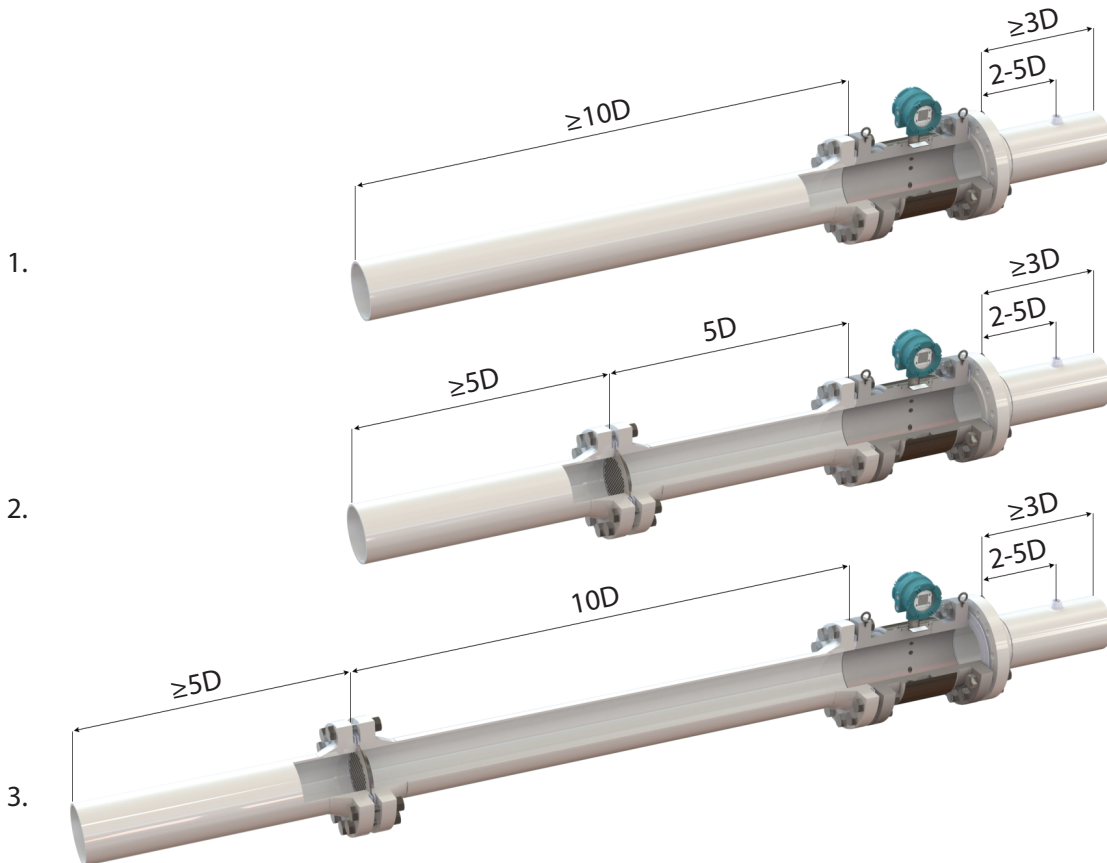
### UIM-3/3F Metric

UIM Series Flowmeter

Principle of operation	Broadband continuous wave – transit time
Sizes	150, 300 and 600lbs; 2 – 16", other sizes on request
Flange type	ANSI, DIN, others on request
Pressure ranges	Up to 102 bar (1480 psi), other ranges on request
Ambient temperature	-40 to +60°C (-40 to +140°F)
Process temperature	-30 to +80°C (-22 to +176°F)
Typical uncertainty	1% ( $Q_t - Q_{max}$ ) factory calibration 2% ( $Q_{min} - Q_t$ ) factory calibration  0.5% ( $Q_t - Q_{max}$ ) flow calibration 1% ( $Q_{min} - Q_t$ ) flow calibration
Metrology	UIM-3F: AGA-9 compliant
Repeatability	0.1%
Turndown	100:1 (pipe size dependent)
Meter body materials	Carbon steel ASTM A350-LF2 Cl.1 Stainless steel ASTM A182-F316 Other materials on request
Transducers	All metal Ti Grade 2; retractable version available as option
Pressure port	1/4" NPT female, others on request
Electronic enclosure material	Epoxy painted, low copper aluminum alloy
Electronic enclosure cable entry	M20x1.5 female 1/2" NPT female
Power supply	Main power: 14 - 28.8V, 670mW max  I/O option board power: 10.8 - 28.8V, 225mW max
User interface	128x128 dot matrix LC Display, 4 keys
Interface ports	1x USB (not intrinsically safe) 1x Frequency output
Optional interface ports	<u>I/O Option Board</u> 1x RS485, two wire, externally powered 2x Digital, software configurable 1 x 4-20mA loop powered output (pending) <u>PT Option board</u> Pressure and temperature sensors <u>4-20mA/HART Option Board</u> 1 x 4-20mA loop powered output (HART pending)
Communication protocols	MODBUS (RS485 and USB)
Hazardous area certification	ATEX EX II 1 G Ex ia IIC T4 Ga, Zone o IECEX Ex ia IIC T4 Ga FM - Class I, Division 1, Group A,B,C,D T4 (PENDING)
Ingress Protection	IP66, NEMA 4X

Flowranges [Metric]	Nominal Size	Schedule	Internal diameter [mm]	Flow [m <sup>3</sup> /hr]			Turndown
				Qmax	Qt	Qmin	
	2" / DN50	40		52.5	320	32	4
80			49.3	280	28	4	70
3" / DN80	40		77.9	610	61	7	88
	80		73.7	540	54	7	78
4" / DN100	40		102.3	1000	100	12	84
	80		97.2	900	90	11	82
6" / DN150	40		154.1	2020	202	21	97
	80		146.3	1820	182	19	96
8" / DN200	40		202.7	3490	349	35	100
	80		193.7	3190	319	32	100
10" / DN250	40		254.5	5500	550	55	100
	80		242.9	5100	510	51	100
12" / DN300	STD		304.7	7900	790	79	100
	80		289.0	7100	710	71	100
14" / DN350	STD		336.5	9700	970	97	100
	80		317.5	8600	860	86	100
16" / DN400	STD		387.3	12800	1280	128	100
	80		363.5	11300	1130	113	100

\* Actual flowrange may vary depending on application



Configuration 1. – Recommended configuration without flow conditioner

Configuration 2. – Recommended configuration with flow conditioner

Configuration 3. – Conservative configuration with flow conditioner

# Flowranges and configurations

Dimensions and weights [Metric]	Nominal Size [inch]	Rating	A- Length [mm]	B- Width [mm]	C - Height [mm]	Weight [kg]
	2" / DN50	150	260	155	340	25
		300	260	165	346	27
		600	280	165	360	30
	3" / DN80	150	300	190	372	35
		300	300	210	382	36
		600	320	210	400	44
	4" / DN100	150	300	230	410	43
		300	300	255	422	50
		600	350	275	447	78
6" / DN150	150	350	280	457	57	
	300	400	320	477	96	
	600	400	355	510	123	
8" / DN200	150	450	345	515	145	
	300	500	380	532	175	
	600	500	420	570	197	
10" / DN250	300	550	445	610	245	
	600	550	510	640	303	
12" / DN300	300	600	520	675	285	
	600	600	560	695	376	
14" / DN350	300	600	585	705	405	
	600	600	605	730	435	
16" / DN400	300	700	650	755	620	
	600	700	690	775	660	

