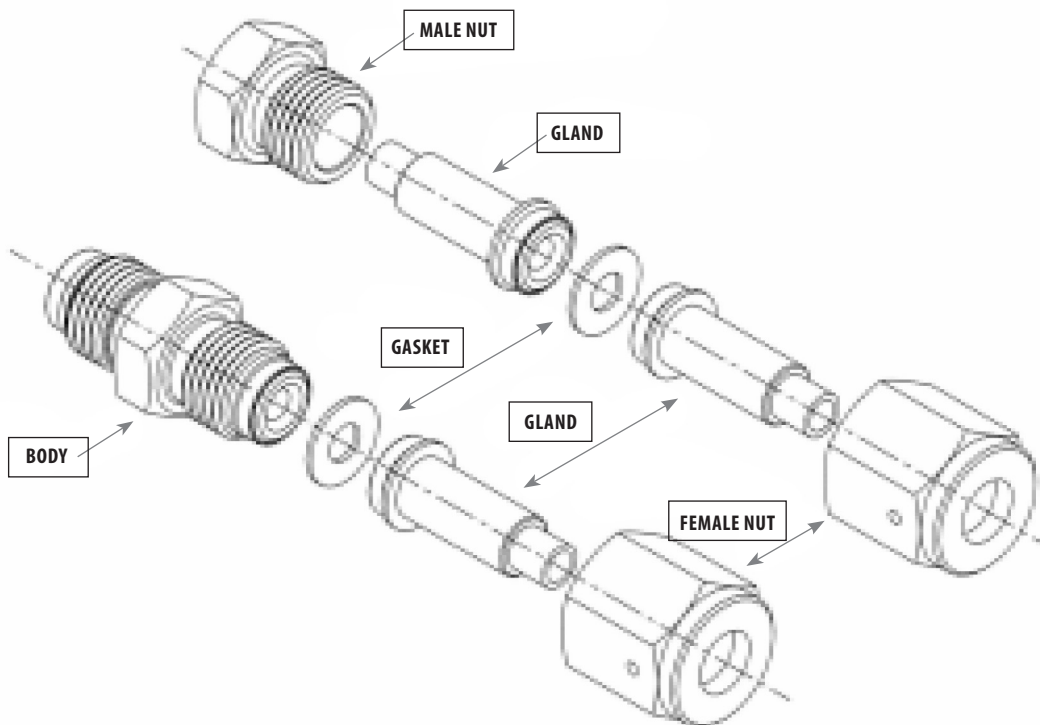
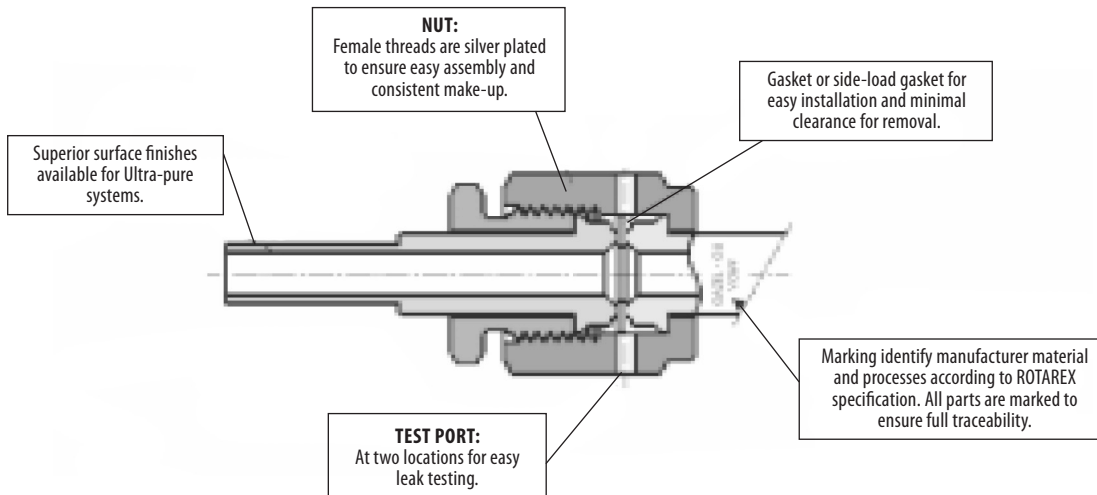


## DESCRIPTION

### GAZEL® METAL GASKET FACE SEAL FITTING

GAZEL® components offer the high purity of a metal to metal seal, providing leak-free service from critical vacuum to high pressure.

The seal on a GAZEL® assembly is made when the gasket is compressed by two highly polished beads during the engagement of a male nut or body hex and a female nut.



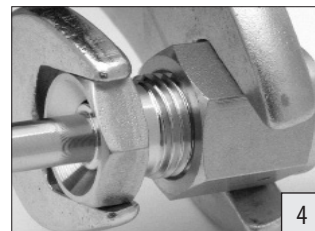
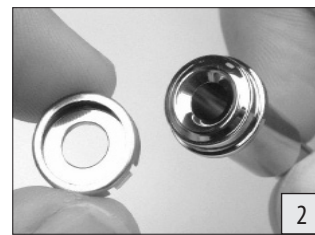
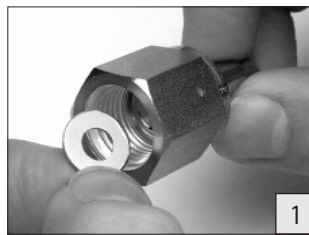
## ASSEMBLY

When using an original style gasket, place it into the female nut whenever possible. No special positioning is needed, because the gasket is self-aligning. (see picture 1)

When using a gasket retainer assembly, press the assembly onto the gland as shown. The retainer assembly will locate the gasket over the bead and hold it in place. Be careful not to scratch or nick the bead as this may affect fitting performance. (see picture 2)

To assemble the connection, hold the male nut or body hex stationary. Tighten the female nut finger-tight. (see picture 3)

Hold the male nut or body hex stationary with a backup wrench. Tighten the female nut 1/8 turn past finger-tight for 316L stainless steel and nickel gaskets. (see picture 4)



Excessive over-tightening will damage the sealing beads and possibly cause system leakage. The using of a new gasket is necessary for each assembly (the gasket is of single use).